

# OPS-A1



## GENERAL SPECIFICATIONS

Device Type	Open Pluggable Specification (OPS)
Operating System	Android 14
CPU	ARM Cortex A55 x 4 (1.6 GHz)
GPU	ARM Mali-G52 MP1
RAM	8 GB LPDDR4
Internal Storage	64 GB eMMC PCIe M.2
Touchscreen Compatibility	Yes
TPM	2.0
Architecture	64 bit
Display Resolution	1920 x 1080 @ 60 Hz

## CONNECTIVITY

USB-A 3.0	x2
USB-A 2.0 (OTG)	x1
Expandable Storage (MicroSD)	x1
Microphone (3.5 mm)	x1
Network (RJ45)	10/100/1000 Mbps
Wi-Fi	IEEE 802.11 a/b/g/n/ac/ax (dual band 2.4 GHz and 5 GHz)
Bluetooth	5.2

## POWER

Power Requirements	12-19 V DC
Power Consumption Maximum	90 W
Power Consumption Standby	<= 0.5 W

## ENVIRONMENTAL

Operating Temperature	0°C to 40°C (32°F to 104°F)
Storage Temperature	-20°C to 60°C (-4°F to 140°F)
Operating Humidity	10% to 95%
Storage Humidity	10% to 90%

## PHYSICAL SPECIFICATIONS

Product Dimensions	200 x 120 x 30 mm (7.9 x 4.7 x 1.2 in)
Packed Dimensions	265 x 212 x 50 mm (10.4 x 8.4 x 2 in)
Net Weight	0.7 kg (1.5 lbs)
Packed Weight	0.84 kg (1.85 lb)

## USABILITY

Promethean Essential Apps	Including Explain Everything Whiteboard, Screen Share, Screen Capture, Annotate, Spinner, and Timer
Google Apps	Including Play Store, Chrome, Drive, Meet, and YouTube

## PACKED CONTENTS

What's in the Box	OPS-A x1, Antenna x2, Installation Guide x1
-------------------	---

## COMPLIANCE & CERTIFICATION

Regulatory Certification	CB, CE, FCC, RCM, UL, RoHS
EDLA Certification	Yes

## WARRANTY

Standard Warranty	3-Year Warranty. For more information, visit <a href="https://www.prometheanworld.com/Warranty">PrometheanWorld.com/Warranty</a> .
-------------------	--

## INSTALLATION

The installation of this product should be completed by a qualified installer. Use of components not supplied by Promethean or not meeting minimum specifications may impact performance, safety and warranty. For more information, visit [Support.PrometheanWorld.com](https://www.prometheanworld.com).

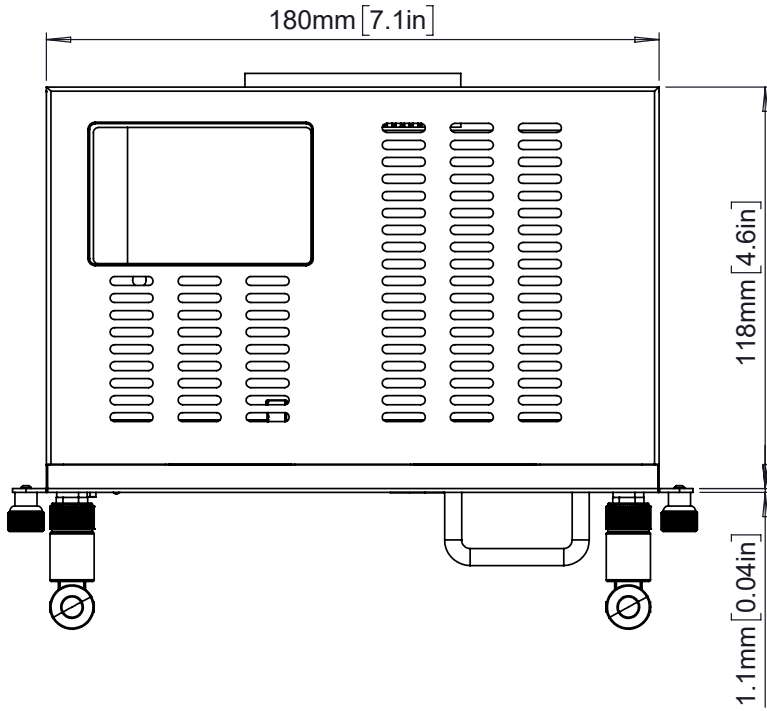
## SUPPORT

For all Promethean products, visit [Support.PrometheanWorld.com](https://www.prometheanworld.com).

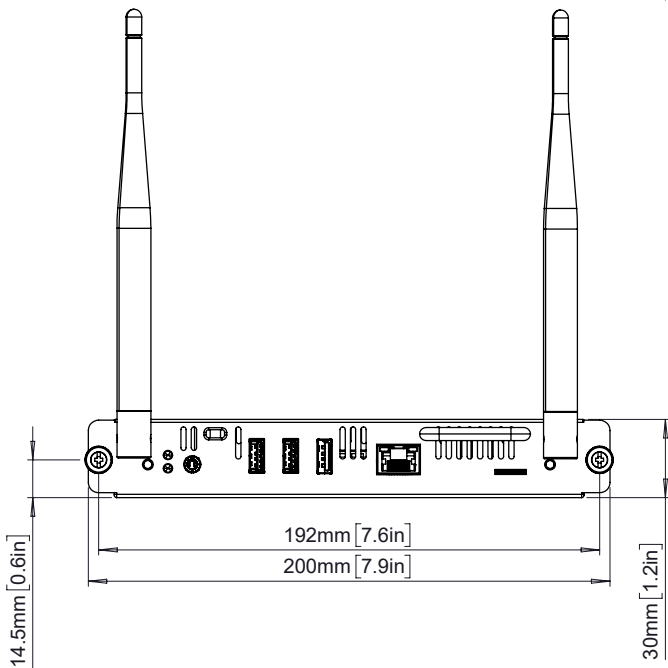
# OPS-A1

## TECHNICAL DRAWINGS

Top



Front



Side

